



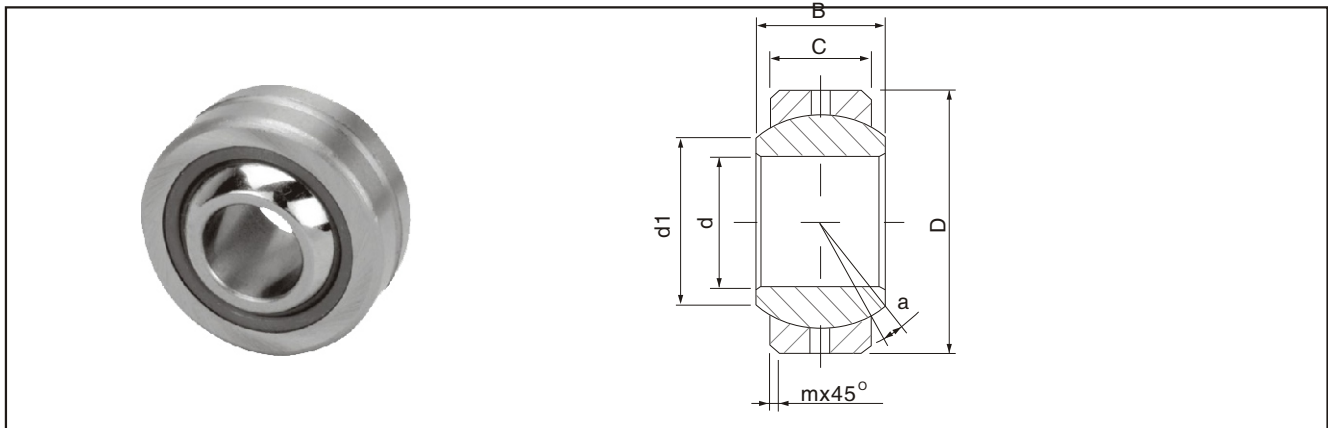
Main Application:

Industrial equipment
Transportation equipment
Construction equipment
Agricultural equipment

Spherical Plain Bearing



COM series



Part No.	Dimensions mm								Load ratings	Weight kg
	d	d _i	B	C	D	d _k	m	a	kN dyn	
								≈	C	
COM3	4.826	7.44	7.14	5.54	14.29	10.31	0.381	11	14.464	0.006
COM4	6.350	9.25	8.71	6.35	16.67	12.70	0.560	13.5	22.015	0.010
COM5	7.938	10.64	9.53	7.14	19.05	14.47	0.810	12	28.800	0.014
COM6	9.525	13.11	10.31	7.92	20.64	16.66	0.810	10	37.361	0.017
COM7	11.113	13.46	11.10	8.71	23.02	17.45	0.810	8.0	42.048	0.021
COM8	12.700	16.26	12.70	9.91	25.40	20.65	0.810	9.5	58.934	0.029
COM9	14.288	18.03	14.27	11.10	27.78	23.01	0.810	9.5	73.967	0.039
COM10	15.875	19.81	15.88	12.70	30.16	25.40	0.810	8.5	94.658	0.050
COM12	19.050	23.37	19.05	15.06	36.51	30.15	1.120	9.0	141.982	0.093
COM14	22.225	24.89	22.23	17.86	39.69	33.32	1.120	9.5	186.639	0.119
COM16	25.400	28.40	25.40	20.24	44.45	38.10	1.120	10	245.534	0.175

-Material:

-Ball

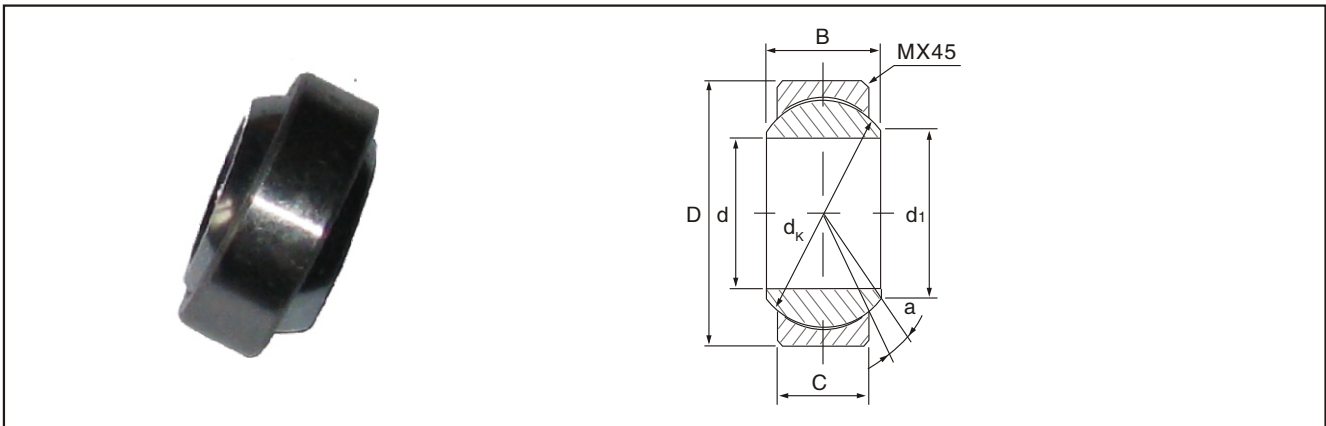
- 52100 Bearing Steel
- Heat Treated
- Hard Chrome Plated
- Precision Ground

-Race

- Chrome Moly Steel (Optional – Stainless Steel)
- Heat Treated

- Outer ring pressed around inner ring.
- With lubricating groove and holes in the outer ring.
- In inch dimension series.

COM..T/HCOM..T series



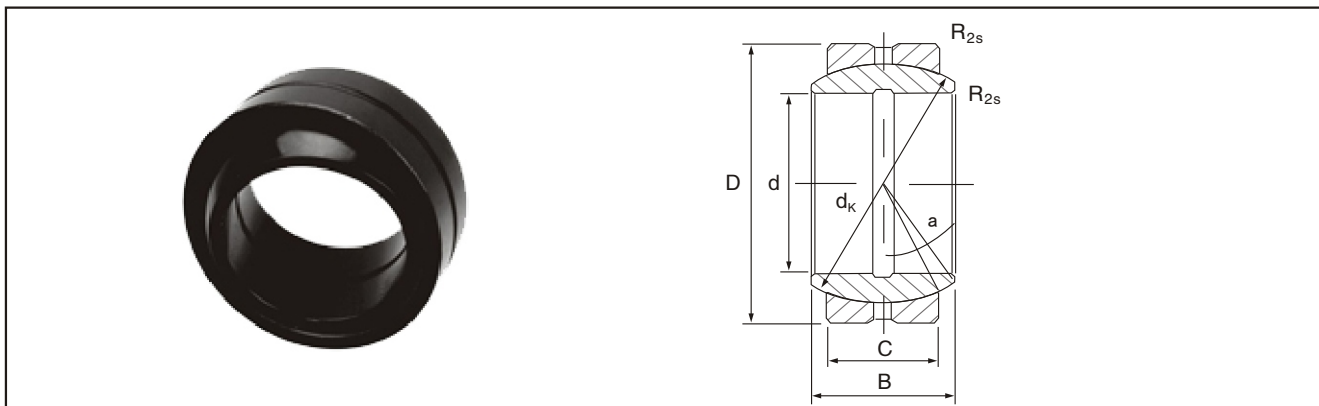
Part No.	Dimensions mm								Load ratings	Weight kg
	d	d ₁	B	C	D	d _k	m	a	kN	
								≈	C	
COM3T	4.826	7.44	7.14	5.54	14.29	10.31	0.381	11	21.68	0.006
COM4T	6.350	9.25	8.71	6.35	16.67	12.70	0.560	13.5	33.02	0.010
COM5T	7.938	10.64	9.53	7.14	19.05	12.47	0.810	12	43.20	0.014
COM6T	9.525	13.11	10.31	7.92	20.64	16.66	0.810	10	56.04	0.017
COM7T	11.113	13.46	11.10	8.71	23.02	17.45	0.810	8.0	63.07	0.021
COM8T	12.700	16.26	12.70	9.91	25.40	20.65	0.810	9.5	88.39	0.029
COM9T	14.288	18.03	14.27	11.10	27.78	23.01	0.810	9.5	110.94	0.039
COM10T	15.875	19.81	15.88	12.70	30.16	25.40	0.810	8.5	141.96	0.050
COM12T	19.050	23.37	19.05	15.06	36.51	30.15	1.120	9.0	212.94	0.093
COM14T	22.225	24.89	22.23	17.86	39.69	33.32	1.120	9.5	279.93	0.119
COM16T	25.400	28.40	25.40	20.24	44.45	38.10	1.120	10	368.25	0.175
HCOM16T	25.400	34.54	25.40	19.84	50.80	42.85	0.810	9.0	472.46	0.251
HCOM19T	30.163	40.89	30.15	23.80	60.33	50.80	0.810	8.5	672.00	0.406
HCOM20T	31.750	40.89	30.15	23.80	60.33	50.80	0.810	8.5	672.00	0.406
HCOM24T	38.100	47.24	34.93	27.79	69.85	68.72	0.810	8.5	906.96	0.616
HCOM28T	44.450	53.59	39.67	31.75	79.38	66.68	1.120	8.0	1176.61	0.884
HCOM32T	50.800	59.94	44.45	34.93	88.90	74.60	1.120	8.5	1448.06	1.198

- Outer ring pressed around inner ring.
- Outer race lined with PTFE fabric composite material.
- In inch dimension series.

Spherical Plain Bearing



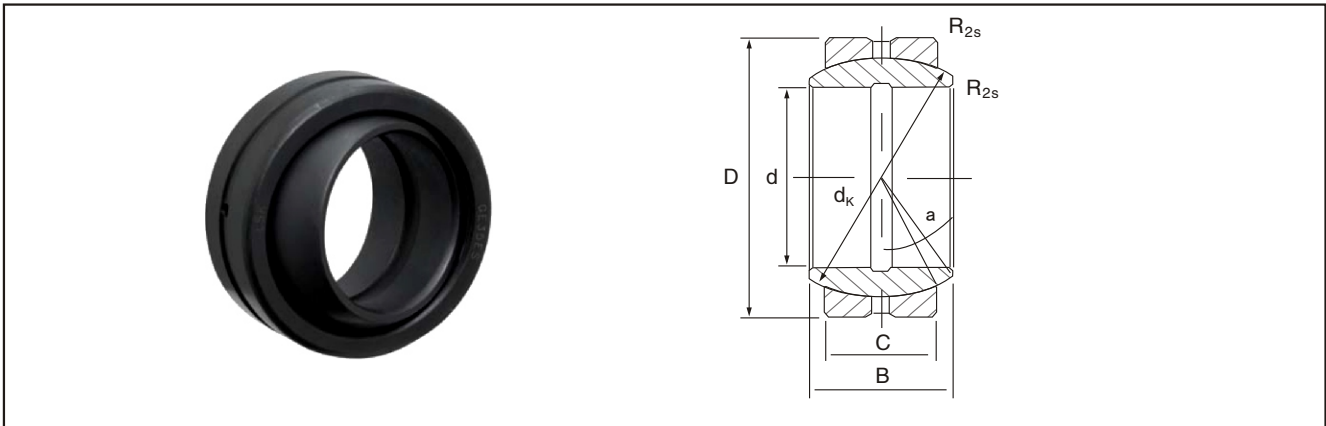
GE..E(S),GE..ES 2RS



Part No	Dimensions mm								Load ratings kN		Weight kg
	d	D	B	C	d _k	R _{1s}	R _{2s}	a	dyn	stat	
						min	min	≈	C	C ₀	
GE6E	6	14	6	4	10	0.3	0.3	13	3.4	17	0.004
GE8E	8	16	8	5	13	0.3	0.3	15	5.5	27.5	0.007
GE10E	10	19	9	6	16	0.3	0.3	12	8.15	40.5	0.011
GE12E	12	22	10	7	18	0.3	0.3	11	10.8	54	0.016
GE15ES GE15ES2RS	15	26	12	9	22	0.3	0.3	8	17	85	0.025
GE16ES GE16ES2RS	16	30	14	10	25	0.3	0.3	10	21.2	106	0.041
GE17ES GE17ES2RS	17	30	14	10	25	0.3	0.3	10	21.2	106	0.041
GE20ES GE20ES2RS	20	35	16	12	29	0.6	0.3	9	30	146	0.061
GE25ES GE25ES2RS	25	42	20	16	35.5	0.6	0.6	7	48	240	0.11
GE30ES GE30ES2RS	30	47	22	18	40.7	0.6	0.6	6	62	310	0.14
GE35ES GE35ES2RS	35	55	25	20	47	0.6	1.0	6	80	400	0.22
GE40ES GE40ES2RS	40	62	28	22	53	0.6	1.0	7	100	500	0.30
GE45ES GE45ES2RS	45	68	32	25	60	0.6	1.0	7	127	640	0.40
GE50ES GE50ES2RS	50	75	35	28	66	0.6	1.0	6	156	780	0.54
GE60ES GE60ES2RS	60	90	44	36	80	1.0	1.0	6	245	1220	1.00
GE70ES GE70ES2RS	70	105	49	40	92	1.0	1.0	6	315	1560	1.50
GE80ES GE80ES2RS	80	120	55	45	105	1.0	1.0	6	400	2000	2.20
GE90ES GE90ES2RS	90	130	60	50	115	1.0	1.0	5	490	2450	2.70
GE100ES GE100ES2RS	100	150	70	55	130	1.0	1.0	7	610	3050	4.30
GE110ES GE110ES2RS	110	160	70	55	140	1.0	1.0	6	655	3250	4.70
GE120ES GE120ES2RS	120	180	85	70	160	1.0	1.0	6	950	4750	8.00
GE140ES GE140ES2RS	140	210	90	70	180	1.0	1.0	7	1080	5400	11.00
GE160ES GE160ES2RS	160	230	105	80	200	1.0	1.0	8	1360	6800	14.00

- Outer ring with single split in axial direction.
- Lubricating grooves and holes in the outer and inner rings of type ES.
- Outer ring of type-2RS with lip seals in both sides.
- Both outer and inner rings are properly phosphate treated.

GEZ..ES,GEZ..ES 2RS



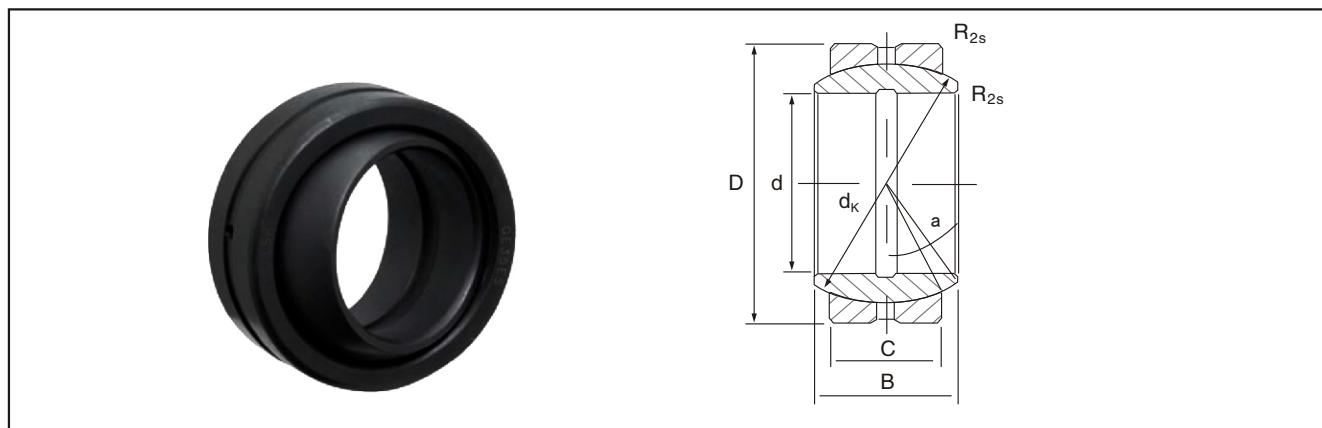
Part No	Dimensions mm								Load ratings kN		Weight kg
	d	D	B	C	d _k	R _{1s}	R _{2s}	a	dyn	stat	
						min	min	≈	C	C ₀	
GEZ12ES	12.70	22.225	11.10	9.525	19	0.3	0.6	6	13	41	0.022
GEZ15ES	15.875	26.988	13.894	11.913	22	0.3	0.6	6	22	65	0.036
GEZ19ES	19.05	31.750	16.662	14.275	27.5	0.3	0.6	6	31	95	0.053
GEZ22ES	22.225	36.513	19.431	16.662	32	0.3	0.6	6	42	127	0.085
GEZ25ES GEZ25ES2RS	25.40	41.275	22.235	19.05	35.5	0.3	0.6	6	56	166	0.121
GEZ31ES GEZ31ES2RS	31.75	50.80	27.762	23.80	45.5	0.6	0.6	6	86	260	0.232
GEZ34ES GEZ34ES2RS	34.925	55.663	30.150	26.187	49	0.6	1.0	6	102	310	0.351
GEZ38ES GEZ38ES2RS	38.10	61.913	33.325	28.575	53	0.6	1.0	6	125	375	0.422
GEZ44ES GEZ44ES2RS	44.45	71.438	38.887	33.325	63.9	0.6	1.0	6	170	510	0.641
GEZ50ES GEZ50ES2RS	50.80	80.963	44.450	38.10	73	0.6	1.0	6	224	670	0.932
GEZ57ES GEZ57ES2RS	57.15	90.488	55.013	42.85	82	0.6	1.0	6	280	850	1.33
GEZ63ES GEZ63ES2RS	63.50	100.013	55.550	47.625	92	0.6	1.0	6	355	1060	1.85
GEZ69ES GEZ69ES2RS	69.85	111.125	61.112	52.375	100	1.0	1.0	6	415	1250	2.42
GEZ76ES GEZ76ES2RS	76.20	120.650	66.675	57.15	109.5	1.0	1.0	6	500	1500	3.10
GEZ82ES GEZ76ES2RS	82.55	130.175	72.238	61.90	120	1.0	1.0	6	585	1760	3.82
GEZ88ES GEZ88ES2RS	88.90	139.70	77.775	66.675	130	1.0	1.0	6	680	2040	4.79
GEZ95ES GEZ95ES2RS	95.250	149.225	83.337	71.425	137	1.0	1.0	6	780	2360	5.80
GEZ101ES GEZ101ES2RS	101.60	158.750	88.900	76.200	146	1.0	1.0	6	900	2650	7.00
GEZ114ES GEZ114ES2RS	114.30	177.800	100.013	85.725	146	1.0	1.0	6	1120	3400	9.80
GEZ120ES GEZ120ES2RS	120.65	187.325	105.562	90.475	173.5	1.0	1.0	6	1250	3750	11.5

- Design features same as GE..ES or GE..ES 2RS.
- In inch dimension series.

Spherical Plain Bearing



GEG..E(S),GEG..ES 2RS



Part No	Dimensions mm								Load ratings kN		Weight kg
	d	D	B	C	d _k	R _{1s} min	R _{2s} min	a ≈	dyn c	stat C ₀	
GEG6E	6	16	9	5	13	0.3	0.3	21	5.50	27.5	0.008
GEG8E	8	19	11	6	16	0.3	0.3	21	8.15	40.5	0.014
GEG10E	10	22	12	7	18	0.3	0.3	18	10.8	54.0	0.020
GEG12E	12	26	15	9	22	0.3	0.3	18	17.0	85.0	0.034
GEG15ES GEG15ES2RS	15	30	16	10	25	0.3	0.3	16	21.2	106	0.046
GEG17ES GEG17ES2RS	17	35	20	12	29	0.3	0.3	19	30.0	146	0.078
GEG20ES GEG20ES2RS	20	42	25	16	35.5	0.6	0.6	17	48.0	240	0.150
GEG25ES GEG20ES2RS	25	47	28	18	40.7	0.6	1.0	17	62.0	310	0.190
GEG30ES GEG30ES2RS	30	55	32	20	47	0.6	1.0	17	80.0	400	0.290
GEG35ES GEG35ES2RS	35	62	35	22	53	0.6	1.0	16	100	500	0.390
GEG40ES GEG40ES2RS	40	68	40	25	60	0.6	1.0	17	127	640	0.520
GEG45ES GEG45ES2RS	45	75	43	28	66	0.6	1.0	15	156	780	0.680
GEG50ES GEG50ES2RS	50	90	56	36	80	0.6	1.0	17	245	1220	1.40
GEG60ES GEG60ES2RS	60	105	63	40	92	1.0	1.0	17	315	1560	2.00
GEG70ES GEG70ES2RS	70	120	70	45	105	1.0	1.0	16	400	2000	2.90
GEG80ES GEG80ES2RS	80	130	75	50	115	1.0	1.0	14	490	2450	3.50
GEG90ES GEG90ES2RS	90	150	85	55	130	1.0	1.0	15	610	3050	5.40
GEG100ES GEG100ES2RS	100	160	85	55	40	1.0	1.0	14	655	3250	5.90
GEG110ES GEG110ES2RS	110	180	100	70	160	1.0	1.0	11	950	4750	11.0
GEG120ES GEG120ES2RS	120	210	115	70	180	1.0	1.0	16	1080	5400	15.0

- Outer ring with single split in axial direction.
- Lubricating grooves and holes in the outer and inner rings of type ES.
- Outer ring of type-2RS with lip seals in both sides.
- Both outer and inner rings are properly phosphate treated.