

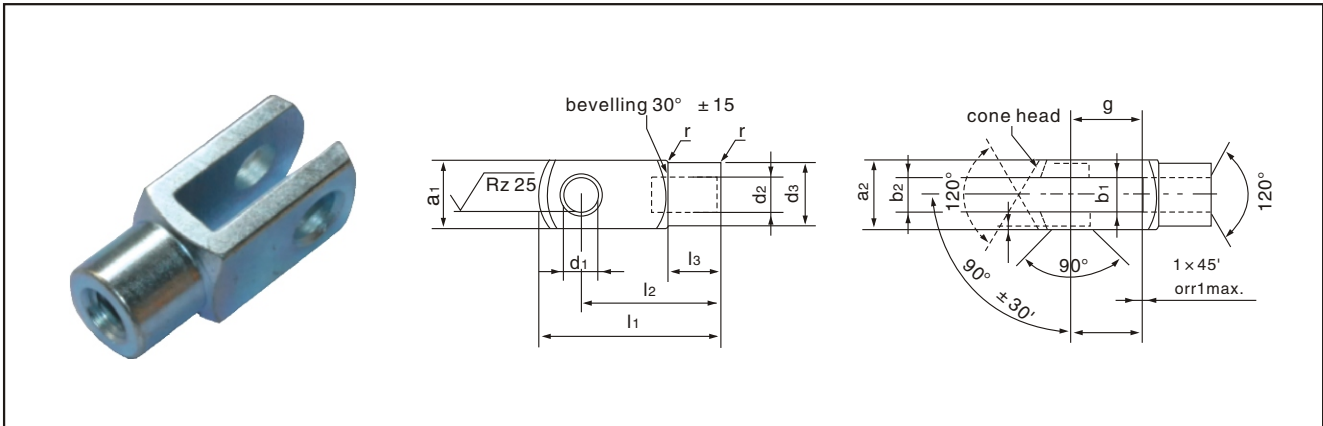
## Main Application:

**Industrial equipment  
Transportation equipment  
Construction equipment  
Agricultural equipment  
Lawn & Garden equipment**

**FUSCO INDUSTRY CO.LTD.**

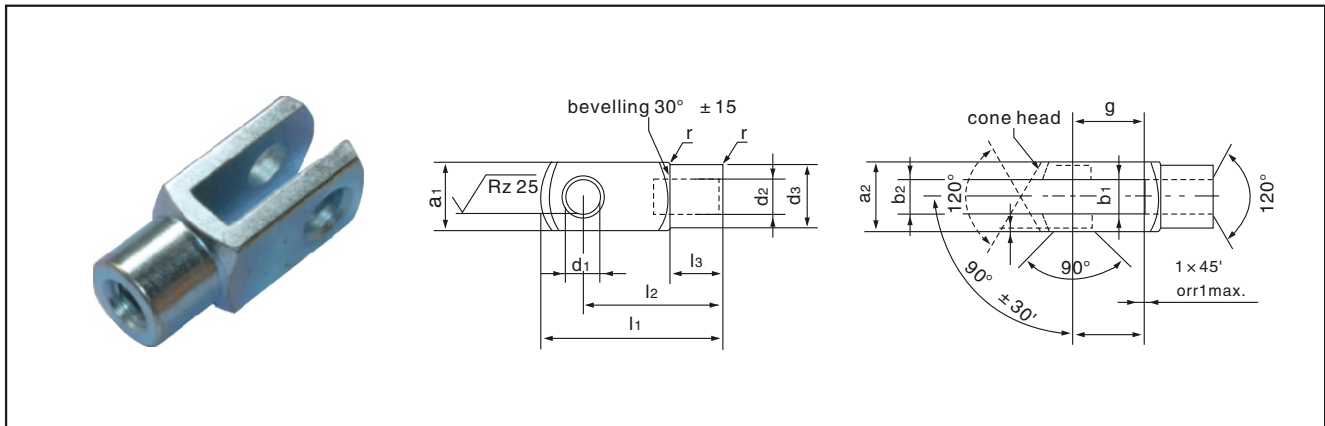
Tel:+86-574-87676065 Fax:+86-574-87675899 E-mail:[fusco@fuscoinc.com](mailto:fusco@fuscoinc.com) [www.fuscoinc.com](http://www.fuscoinc.com)

## Clevises • DIN 71 752/DIN ISO 8140



| Part No . | Dimensions mm  |      |                |                    |                |                |                    |                |      |                |                |                |      | Weight kg |       |
|-----------|----------------|------|----------------|--------------------|----------------|----------------|--------------------|----------------|------|----------------|----------------|----------------|------|-----------|-------|
|           | d <sub>1</sub> | g    | a <sub>1</sub> | a <sub>2</sub>     | b <sub>1</sub> | b <sub>2</sub> | d <sub>2</sub>     | d <sub>3</sub> | f    | L <sub>1</sub> | L <sub>2</sub> | L <sub>3</sub> | r    |           |       |
|           | H9             | ±0.5 | H11            | $^{+0.30}_{-0.16}$ | B13            |                |                    | ±0.3           | ±0.2 | ±0.5           |                | ±0.2           |      |           |       |
| G4x8      | 4              | 8    | 8              | 8                  | 4              | 4              | $^{+0.33}_{+0.15}$ | M4x0.7         | 8    | 0.5            | 21             | 16 ± 0.3       | 6    | 0.5       | 0.005 |
| G4x16     | 4              | 16   | 8              | 8                  | 4              | 4              | $^{+0.33}_{+0.15}$ | M4x0.7         | 8    | 0.5            | 29             | 24 ± 0.3       | 6    | 0.5       | 0.007 |
| G5x10     | 5              | 10   | 10             | 10                 | 5              | 5              | $^{+0.33}_{+0.15}$ | M5x0.8         | 9    | 0.5            | 26             | 20 ± 0.3       | 7.5  | 0.5       | 0.009 |
| G5x20     | 5              | 20   | 10             | 10                 | 5              | 5              | $^{+0.33}_{+0.15}$ | M5x0.8         | 9    | 0.5            | 36             | 30 ± 0.3       | 7.5  | 0.5       | 0.013 |
| G6x12     | 6              | 12   | 12             | 12                 | 6              | 6              | $^{+0.33}_{+0.15}$ | M6x1.0         | 10   | 0.5            | 31             | 24 ± 0.3       | 9    | 0.5       | 0.015 |
| G6x24     | 6              | 24   | 12             | 12                 | 6              | 6              | $^{+0.33}_{+0.15}$ | M6x1.0         | 10   | 0.5            | 43             | 36 ± 0.4       | 9    | 0.5       | 0.021 |
| G8x16     | 8              | 16   | 16             | 16                 | 8              | 8              | $^{+0.33}_{+0.15}$ | M8x1.25        | 14   | 0.5            | 42             | 32 ± 0.4       | 12   | 0.5       | 0.037 |
| G8x16FG   | 8              | 16   | 16             | 16                 | 8              | 8              | $^{+0.33}_{+0.15}$ | M8x1.0         | 14   | 0.5            | 42             | 32 ± 0.4       | 12   | 0.5       | 0.037 |
| G8x32     | 8              | 32   | 16             | 16                 | 8              | 8              | $^{+0.33}_{+0.15}$ | M8x1.25        | 14   | 0.5            | 58             | 48 ± 0.4       | 12   | 0.5       | 0.054 |
| G8x32FG   | 8              | 32   | 16             | 16                 | 8              | 8              | $^{+0.33}_{+0.15}$ | M8x1.0         | 14   | 0.5            | 58             | 48 ± 0.4       | 12   | 0.5       | 0.054 |
| G10x20    | 10             | 20   | 20             | 20                 | 10             | 10             | $^{+0.33}_{+0.15}$ | M10x1.5        | 18   | 0.5            | 52             | 40 ± 0.4       | 15   | 0.5       | 0.074 |
| G10x20FG  | 10             | 20   | 20             | 20                 | 10             | 10             | $^{+0.33}_{+0.15}$ | M10x1.25       | 18   | 0.5            | 52             | 40 ± 0.4       | 15   | 0.5       | 0.074 |
| G10x40    | 10             | 40   | 20             | 20                 | 10             | 10             | $^{+0.70}_{+0.15}$ | M10x1.5        | 18   | 0.5            | 72             | 60 ± 0.4       | 15   | 0.5       | 0.116 |
| G10x40FG  | 10             | 40   | 20             | 20                 | 10             | 10             | $^{+0.70}_{+0.15}$ | M10x1.25       | 18   | 0.5            | 72             | 60 ± 0.4       | 15   | 0.5       | 0.116 |
| G12x24    | 12             | 24   | 24             | 24                 | 12             | 12             | $^{+0.70}_{+0.15}$ | M12x1.75       | 20   | 0.5            | 62             | 48 ± 0.4       | 18   | 0.5       | 0.121 |
| G12x24FG  | 12             | 24   | 24             | 24                 | 12             | 12             | $^{+0.70}_{+0.15}$ | M12x1.25       | 20   | 0.5            | 62             | 48 ± 0.4       | 18   | 0.5       | 0.121 |
| G12x48    | 12             | 48   | 24             | 24                 | 12             | 12             | $^{+0.70}_{+0.15}$ | M12x1.75       | 20   | 0.5            | 86             | 72 ± 0.4       | 18   | 0.5       | 0.175 |
| G12x48FG  | 12             | 48   | 24             | 24                 | 12             | 12             | $^{+0.70}_{+0.15}$ | M12x1.25       | 20   | 0.5            | 86             | 72 ± 0.4       | 18   | 0.5       | 0.175 |
| G14x28    | 14             | 28   | 27             | 27                 | 14             | 14             | $^{+0.70}_{+0.15}$ | M14x2.0        | 24   | 1.0            | 72             | 56 ± 0.4       | 22.5 | 1.0       | 0.178 |
| G14x28FG  | 14             | 28   | 27             | 27                 | 14             | 14             | $^{+0.70}_{+0.15}$ | M14x1.5        | 24   | 1.0            | 72             | 56 ± 0.4       | 22.5 | 1.0       | 0.178 |
| G14x56    | 14             | 56   | 27             | 27                 | 14             | 14             | $^{+0.70}_{+0.15}$ | M14x2.0        | 24   | 1.0            | 101            | 85 ± 0.4       | 22.5 | 1.0       | 0.258 |
| G14x56FG  | 14             | 56   | 27             | 27                 | 14             | 14             | $^{+0.70}_{+0.15}$ | M14x1.5        | 24   | 1.0            | 101            | 85 ± 0.4       | 22.5 | 1.0       | 0.258 |
| G16x32    | 16             | 32   | 32             | 32                 | 16             | 16             | $^{+0.70}_{+0.15}$ | M16x2.0        | 26   | 1.0            | 83             | 64 ± 0.4       | 24   | 1.0       | 0.282 |
| G16x32FG  | 16             | 32   | 32             | 32                 | 16             | 16             | $^{+0.70}_{+0.15}$ | M16x1.5        | 26   | 1.0            | 83             | 64 ± 0.4       | 24   | 1.0       | 0.282 |
| G16x64    | 16             | 64   | 32             | 32                 | 16             | 16             | $^{+0.70}_{+0.15}$ | M16x2.0        | 26   | 1.0            | 115            | 96 ± 0.4       | 24   | 1.0       | 0.411 |
| G16x64FG  | 16             | 64   | 32             | 32                 | 16             | 16             | $^{+0.70}_{+0.15}$ | M16x1.5        | 26   | 1.0            | 115            | 96 ± 0.4       | 24   | 1.0       | 0.411 |
| G18x36    | 18             | 36   | 36             | 36                 | 18             | 18             | $^{+0.70}_{+0.15}$ | M18x2.5        | 30   | 1.0            | 94             | 72 ± 0.4       | 27   | 1.5       | 0.39  |
| G18x36FG  | 18             | 36   | 36             | 36                 | 18             | 18             | $^{+0.70}_{+0.15}$ | M18x1.5        | 30   | 1.0            | 94             | 72 ± 0.4       | 27   | 1.5       | 0.39  |
| G20x40    | 20             | 40   | 40             | 40                 | 20             | 20             | $^{+0.70}_{+0.15}$ | M20x2.5        | 34   | 1.0            | 105            | 80 ± 0.4       | 30   | 1.5       | 0.55  |
| G20x40FG  | 20             | 40   | 40             | 40                 | 20             | 20             | $^{+0.70}_{+0.15}$ | M20x1.5        | 34   | 1.0            | 105            | 80 ± 0.4       | 30   | 1.5       | 0.55  |
| G20x80    | 20             | 80   | 40             | 40                 | 20             | 20             | $^{+0.70}_{+0.15}$ | M20x2.5        | 34   | 1.0            | 145            | 120 ± 0.4      | 30   | 1.5       | 0.80  |
| G20x80FG  | 20             | 80   | 40             | 40                 | 20             | 20             | $^{+0.70}_{+0.15}$ | M20x1.5        | 34   | 1.0            | 145            | 120 ± 0.4      | 30   | 1.5       | 0.80  |

## Clevises · DIN 71 752/DIN ISO 8140



| Part No . | Dimensions mm  |      |                |  |                |                |  |                |       |                |                |                |       | Weight kg |      |
|-----------|----------------|------|----------------|--|----------------|----------------|--|----------------|-------|----------------|----------------|----------------|-------|-----------|------|
|           | d <sub>1</sub> | g    | a <sub>1</sub> | a <sub>2</sub>   | b <sub>1</sub> | b <sub>2</sub> | d <sub>2</sub>   | d <sub>3</sub> | f     | L <sub>1</sub> | L <sub>2</sub> | L <sub>3</sub> | r     |           |      |
|           | H9             | ±0.5 | H11            | $\begin{smallmatrix} +0.30 \\ -0.16 \end{smallmatrix}$ | B13            |                |  | ± 0.3          | ± 0.2 | ± 0.5          |                |                | ± 0.2 |           |      |
| G25x50    | 25             | 50   | 50             | 50   | 25             | 25             | $\begin{smallmatrix} +0.70 \\ +0.15 \end{smallmatrix}$ | M24x3.0        | 42    | 1.5            | 132            | 100 ± 0.4      | 36    | 1.5       | 1.10 |
| G25x50FG  | 25             | 50   | 50             | 50   | 25             | 25             | $\begin{smallmatrix} +0.70 \\ +0.15 \end{smallmatrix}$ | M24x2.0        | 42    | 1.5            | 132            | 100 ± 0.4      | 36    | 1.5       | 1.10 |
| G28x56    | 28             | 56   | 55             | 55   | 28             | 28             | $\begin{smallmatrix} +0.70 \\ +0.15 \end{smallmatrix}$ | M27x3.0        | 48    | 1.5            | 148            | 112 ± 0.4      | 40    | 2.0       | 1.50 |
| G28x56FG  | 28             | 56   | 55             | 55   | 28             | 28             | $\begin{smallmatrix} +0.70 \\ +0.15 \end{smallmatrix}$ | M27x2.0        | 48    | 1.5            | 148            | 112 ± 0.4      | 40    | 2.0       | 1.50 |
| G30x54FG  | 30             | 54   | 55             | 55   | 30             | 30             | $\begin{smallmatrix} +0.70 \\ +0.15 \end{smallmatrix}$ | M27x2.0        | 48    | 1.5            | 148            | 110 ± 0.4      | 40    | 2.0       | 1.44 |
| G30x60    | 30             | 60   | 60             | 60   | 30             | 30             | $\begin{smallmatrix} +0.70 \\ +0.15 \end{smallmatrix}$ | M30x3.5        | 52    | 1.5            | 160            | 120 ± 0.4      | 42    | 2.0       | 1.97 |
| G30x60FG  | 30             | 60   | 60             | 60   | 30             | 30             | $\begin{smallmatrix} +0.70 \\ +0.15 \end{smallmatrix}$ | M30x2.0        | 52    | 1.5            | 160            | 120 ± 0.4      | 42    | 2.0       | 1.97 |
| G35x54FG  | 35             | 54   | 70             | 70   | 35             | 35             | $\begin{smallmatrix} +0.70 \\ +0.15 \end{smallmatrix}$ | M36x2.0        | 60    | 2.0            | 188            | 144 ± 0.4      | 54    | 3.0       | 2.93 |
| G35x72    | 35             | 72   | 70             | 70   | 35             | 35             | $\begin{smallmatrix} +0.70 \\ +0.15 \end{smallmatrix}$ | M36x4.0        | 60    | 2.0            | 188            | 144 ± 0.4      | 54    | 3.0       | 2.93 |
| G35x72FG  | 35             | 72   | 70             | 70   | 35             | 35             | $\begin{smallmatrix} +0.70 \\ +0.15 \end{smallmatrix}$ | M36x2.0        | 60    | 2.0            | 188            | 144 ± 0.4      | 54    | 3.0       | 2.93 |
| G36x72    | 35             | 72   | 70             | 70   | 36             | 36             | $\begin{smallmatrix} +0.70 \\ +0.15 \end{smallmatrix}$ | M36x4.0        | 60    | 2.0            | 188            | 144 ± 0.4      | 54    | 3.0       | 2.93 |
| G36x72FG  | 35             | 72   | 70             | 70   | 36             | 36             | $\begin{smallmatrix} +0.70 \\ +0.15 \end{smallmatrix}$ | M36x2.0        | 60    | 2.0            | 188            | 144 ± 0.4      | 54    | 3.0       | 2.93 |
| G40x84FG  | 40             | 84   | 85             | 85   | 40             | 40             | $\begin{smallmatrix} +0.70 \\ +0.15 \end{smallmatrix}$ | M42x2.0        | 70    | 3.0            | 232            | 168 ± 0.4      | 63.5  | 5.0       | 5.64 |
| G42x84    | 42             | 84   | 85             | 85   | 42             | 42             | $\begin{smallmatrix} +0.70 \\ +0.15 \end{smallmatrix}$ | M42x4.5        | 70    | 3.0            | 232            | 168 ± 0.4      | 63.5  | 5.0       | 5.34 |
| G42x84FG  | 42             | 84   | 85             | 85   | 42             | 42             | $\begin{smallmatrix} +0.70 \\ +0.15 \end{smallmatrix}$ | M42x2.0        | 70    | 3.0            | 232            | 168 ± 0.4      | 63.5  | 5.0       | 5.34 |
| G50x96    | 50             | 96   | 96             | 96   | 50             | 50             | $\begin{smallmatrix} +0.70 \\ +0.15 \end{smallmatrix}$ | M48x5.0        | 82    | 3.0            | 265            | 192 ± 0.4      | 73    | 5.0       | 7.86 |
| G50x96FG  | 50             | 96   | 96             | 96   | 50             | 50             | $\begin{smallmatrix} +0.70 \\ +0.15 \end{smallmatrix}$ | M48x2.0        | 82    | 3.0            | 265            | 192 ± 0.4      | 73    | 5.0       | 7.86 |

**-Code for thread:**

- regular thread no code
- regular thread, left-handed LH
- fine-pitch thread FG
- fine-pitch thread, left-handed FGLH

-for semifinished products, tolerance h 11 according to DIN 178

- radius or 45° beveling (at manufacturer's choice)

**-Material:**

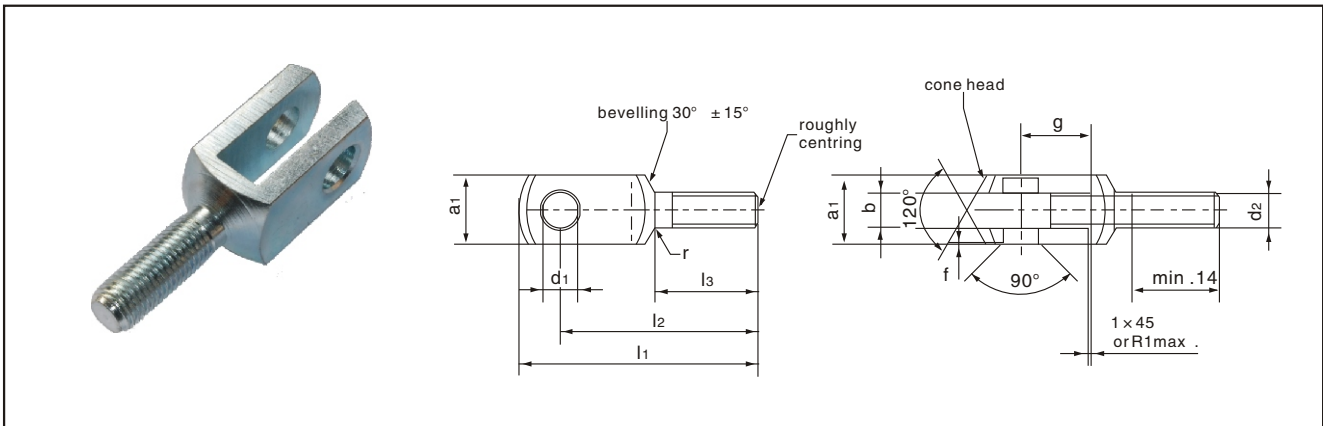
- 1.0718(11SMnPb30+C) polished oiled
- Alternative:stainless steel

-Surface protection

- Optional:phosphatized and oiled,electroplated galvanized;passivated
- in yellow/clear or white-blue

-Special requests are also available

## Clevises with Male Thread



| Part No . | d1<br>h9 | g<br>± 0.5 | a1<br>h11 | a2<br>+0.5<br>-0.2 | b<br>+0.7<br>+0.15 | D2       | f<br>± 0.2 | l1<br>± 0.2 | l2<br>± 0.4 | l3<br>± 0.2 | L4 | r   | Weight<br>7.85kg/dm3<br>kg ≈ |
|-----------|----------|------------|-----------|--------------------|--------------------|----------|------------|-------------|-------------|-------------|----|-----|------------------------------|
| GM6X12    | 6        | 12         | 12        | 12                 | 6                  | M6x1     | 0.5        | 44          | 37          | 20          | 15 | 0.8 | 0.015                        |
| GM8X16    | 8        | 16         | 16        | 16                 | 8                  | M8x1.25  | 0.5        | 57          | 47          | 25          | 20 | 0.8 | 0.036                        |
| GM10X20   | 10       | 20         | 20        | 20                 | 10                 | M10x1.5  | 0.5        | 69          | 57          | 30          | 25 | 0.8 | 0.068                        |
| GM12X24   | 12       | 24         | 24        | 24                 | 12                 | M12x1.75 | 0.5        | 82          | 68          | 35          | 30 | 0.8 | 0.122                        |
| GM14X28   | 14       | 28         | 27        | 27                 | 14                 | M14x2    | 1          | 94          | 78          | 40          | 35 | 1.2 | 0.171                        |
| GM16X32   | 16       | 32         | 32        | 32                 | 16                 | M16x2    | 1          | 108         | 89          | 45          | 40 | 1.2 | 0.288                        |
| GM20X40   | 20       | 40         | 40        | 40                 | 20                 | M20x2.5  | 1          | 134         | 109         | 55          | 50 | 1.5 | 0.55                         |

**-Material:**

Low carbon steel 1020, or equivalent steel.

Alternative: stainless steel.

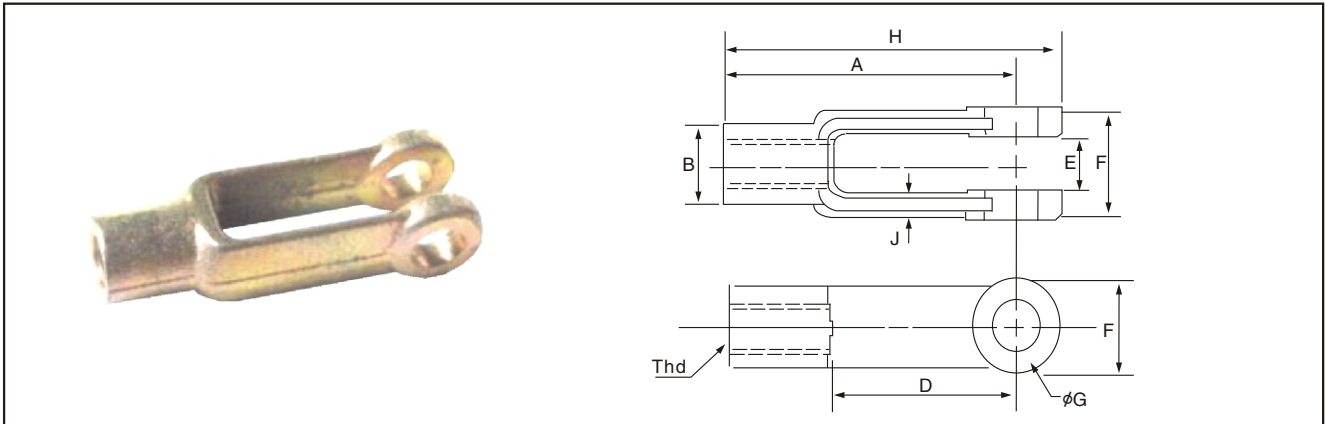
**-Surface Protection:**

phosphatized and oiled, electroplated

Galvanized, passivated in white-blue or yellow.

-Fine and Coarse thread and left hand thread are possible.

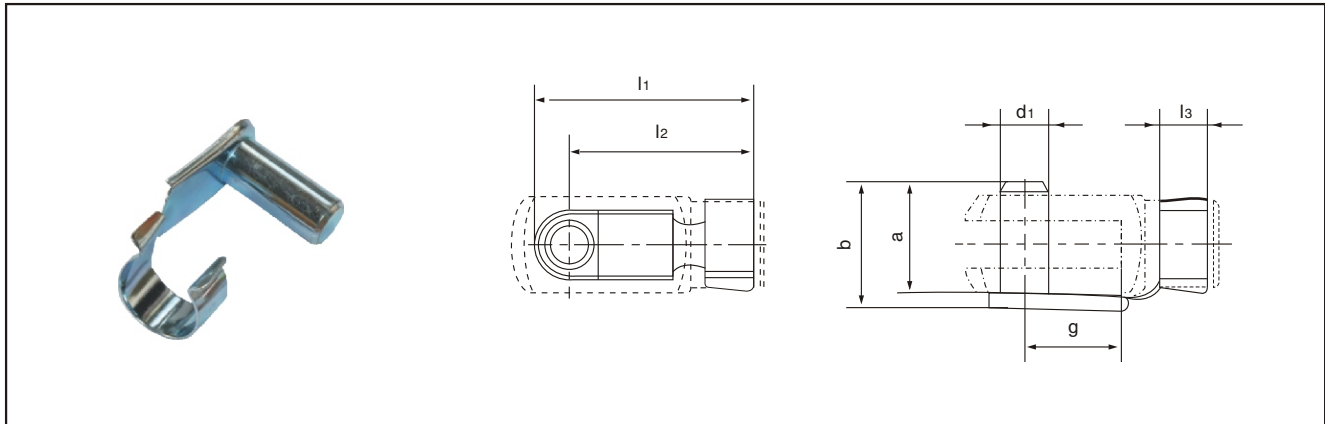
## Yoke end • FC series



| Part No. | Thread     | Plating     | A     | B     | D     | E     | F     | G     | H     | I     | J     |
|----------|------------|-------------|-------|-------|-------|-------|-------|-------|-------|-------|-------|
| FC-1     | 10-32      | None        | 1.563 | 0.313 | 1.000 | 0.188 | 0.438 | 0.188 | 1.770 | 0.375 | 0.094 |
| FC2-1    | 1/4-28     | Zinc Yellow | 2.000 | 0.438 | 1.250 | 0.281 | 0.625 | 0.250 | 2.210 | 0.500 | 0.141 |
| FC2-3    | 1/4-28     | Zinc Yellow | 2.000 | 0.438 | 1.250 | 0.281 | 0.625 | 0.256 | 2.210 | 0.500 | 0.141 |
| FC3-1    | M6 x 1.0   | None        | 2.000 | 0.438 | 1.250 | 0.281 | 0.625 | 0.250 | 2.210 | 0.500 | 0.141 |
| FC3-2    | M5 x 0.8   | Zinc Yellow | 2.000 | 0.438 | 1.250 | 0.281 | 0.625 | 0.250 | 2.210 | 0.500 | 0.141 |
| FC4-1    | 10-32      | Zinc Clear  | 2.000 | 0.438 | 1.250 | 0.281 | 0.625 | 0.261 | 2.210 | 0.500 | 0.141 |
| FC4-2    | 10-32      | Zinc Yellow | 2.000 | 0.438 | 1.250 | 0.281 | 0.625 | 0.261 | 2.210 | 0.500 | 0.141 |
| FC-5     | 5/16-24    | Zinc Clear  | 2.250 | 0.500 | 1.438 | 0.344 | 0.750 | 0.313 | 2.560 | 0.594 | 0.172 |
| FC-6     | 10-32      | Zinc Yellow | 2.000 | 0.438 | 1.250 | 0.281 | 0.625 | 0.197 | 2.210 | 0.500 | 0.141 |
| FC7-1    | 5/16-18    | Zinc Yellow | 2.250 | 0.500 | 1.438 | 0.344 | 0.750 | 0.313 | 2.560 | 0.594 | 0.172 |
| FC7-2    | 1/4-28     | Zinc Yellow | 2.250 | 0.500 | 1.438 | 0.344 | 0.750 | 0.313 | 2.560 | 0.594 | 0.172 |
| FC8-1    | 10-32      | Zinc Yellow | 2.250 | 0.500 | 1.438 | 0.344 | 0.750 | 0.313 | 2.560 | 0.594 | 0.172 |
| FC8-2    | 1/4-28     | Zinc Yellow | 2.250 | 0.500 | 1.438 | 0.344 | 0.750 | 0.315 | 2.560 | 0.594 | 0.172 |
| FC9-1    | 5/16-24    | Zinc Yellow | 2.250 | 0.500 | 1.438 | 0.402 | 0.750 | 0.313 | 2.560 | 0.594 | 0.172 |
| FC9-2    | 5/16-24    | Zinc Yellow | 2.250 | 0.500 | 1.438 | 0.344 | 0.750 | 0.250 | 2.560 | 0.594 | 0.172 |
| FC9-3    | M8 x 1.25  | None        | 2.250 | 0.500 | 1.438 | 0.344 | 0.750 | 0.313 | 2.560 | 0.594 | 0.172 |
| FC10-1   | 5/16-24    | Zinc Yellow | 2.500 | 0.625 | 1.625 | 0.438 | 0.875 | 0.344 | 2.830 | 0.688 | 0.188 |
| FC10-2   | 3/8-24     | Zinc Yellow | 2.500 | 0.625 | 1.625 | 0.438 | 0.875 | 0.25  | 2.830 | 0.688 | 0.188 |
| FC10-3   | 3/8-16     | Zinc Clear  | 2.500 | 0.625 | 1.625 | 0.438 | 0.875 | 0.399 | 2.830 | 0.688 | 0.188 |
| FC10-4   | M6 x 1.0   | Zinc Clear  | 2.500 | 0.625 | 1.625 | 0.438 | 0.875 | 0.244 | 2.830 | 0.688 | 0.188 |
| FC10-5   | 1/4-28     | Zinc Yellow | 2.500 | 0.625 | 1.625 | 0.438 | 0.875 | 0.375 | 2.830 | 0.688 | 0.188 |
| FC10-6   | 5/16-24 LH | Zinc Yellow | 2.500 | 0.625 | 1.625 | 0.438 | 0.875 | 0.375 | 2.830 | 0.688 | 0.188 |
| FC10-7   | M10 x 1.50 | None        | 2.500 | 0.625 | 1.625 | 0.438 | 0.875 | 0.394 | 2.830 | 0.688 | 0.188 |
| FC11-1   | 3/8-24     | Zinc Yellow | 1.375 | 0.625 | 0.844 | 0.438 | 0.875 | 0.375 | 1.710 | 0.688 | 0.188 |
| FC11-2   | M6 x 1.0   | None        | 1.375 | 0.625 | 0.844 | 0.438 | 0.875 | 0.414 | 1.710 | 0.688 | 0.188 |
| FC11-3   | M10 x 1.5  | Zinc Yellow | 1.375 | 0.625 | 0.844 | 0.438 | 0.875 | 0.315 | 1.710 | 0.688 | 0.188 |
| FC11-4   | 3/8-24 LH  | Zinc Yellow | 1.375 | 0.625 | 0.844 | 0.438 | 0.875 | 0.375 | 1.710 | 0.688 | 0.188 |
| FC-12    | 7/16-20    | Zinc Yellow | 2.875 | 0.719 | 1.875 | 0.500 | 1.000 | 0.437 | 3.280 | 0.813 | 0.219 |

- Material: Low carbon steel.
- Construction, forged or casting.
- Surface protection, Zinc plate, passivated in yellow or clear

## Folding Spring Bolts • FKB series.



| Part No.   | Suitable for clevis | d1<br>h11 | g  | a   | b    | l1   | l2   | l3  | Mass [kg]<br>100 pieces |
|------------|---------------------|-----------|----|-----|------|------|------|-----|-------------------------|
| FKB4 x 8   | G 4 x 8             | 4         | 8  | 9.5 | 11.1 | 19   | 15   | 4.5 | 0.145                   |
| FKB5 x 10  | G 5 x 10            | 5         | 10 | 12  | 13.7 | 23   | 19   | 5.5 | 0.254                   |
| FKB5 x 20  | G 5 x 20            | 5         | 20 | 12  | 13.8 | 33   | 29   | 5.5 | 0.31                    |
| FKB6 x 12  | G 6 x 12            | 6         | 12 | 14  | 16.2 | 28   | 23   | 6.5 | 0.458                   |
| FKB6 x 24  | G 6 x 24            | 6         | 24 | 14  | 16.3 | 40   | 35   | 6.5 | 0.516                   |
| FKB8 x 16  | G 8 x 16            | 8         | 16 | 19  | 21.6 | 37   | 30   | 8   | 1.059                   |
| FKB8 x 32  | G 8 x 32            | 8         | 32 | 19  | 21.6 | 52   | 46   | 8   | 1.155                   |
| FKB10 x 20 | G 10 x 20           | 10        | 20 | 23  | 26   | 46   | 38   | 10  | 1.938                   |
| FKB10 x 40 | G 10 x 40           | 10        | 40 | 23  | 26.3 | 66   | 58   | 10  | 2.046                   |
| FKB12 x 24 | G 12 x 24           | 12        | 24 | 28  | 31.1 | 53   | 45   | 12  | 3.306                   |
| FKB12 x 48 | G 12 x 48           | 12        | 48 | 28  | 31.2 | 78   | 69   | 12  | 3.5                     |
| FKB14 x 28 | G 14 x 28           | 14        | 28 | 31  | 34.1 | 62   | 52   | 14  | 4.722                   |
| FKB14 x 56 | G 14 x 56           | 14        | 56 | 31  | 34   | 92   | 82   | 14  | 5.076                   |
| FKB16 x 32 | G 16 x 32           | 16        | 32 | 36  | 39.5 | 73   | 62   | 16  | 6.94                    |
| FKB16 x 64 | G 16 x 64           | 16        | 64 | 36  | 39.2 | 103  | 92   | 16  | 7.44                    |
| FKB20 x 40 | G 20 x 40           | 20        | 40 | 45  | 50   | 87.5 | 71.5 | 16  | 13                      |

–Material:

Bolt, low carbon steel 1020,

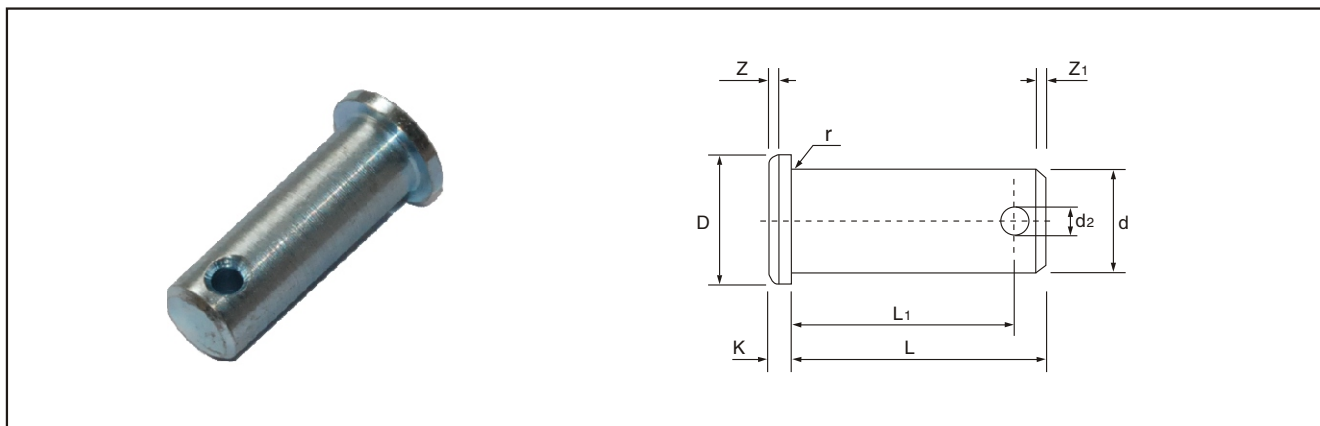
Alternative, stainless steel.

Feather, spring steel 65Mn, quenched

–Surface protection

phosphatized, oiled, zinc plate, passivated in white–blue or yellow.

## Bolt with Bore • PB series



| Part No. | Dimensions mm |                       |          |           |             |                          |     |     |                     | weight<br>≈ kg |
|----------|---------------|-----------------------|----------|-----------|-------------|--------------------------|-----|-----|---------------------|----------------|
|          | d<br>h11      | D <sub>2</sub><br>h14 | D<br>h12 | K<br>js14 | L<br>+0.3≈0 | L <sub>1</sub><br>+0.5≈0 | R   | Z   | Z <sub>1</sub><br>≈ |                |
| PB4      | 4             | 1                     | 6        | 1         | 12          | 10                       | 0.3 | 0.5 | 0.8                 | 0.001          |
| PB5      | 5             | 1.2                   | 8        | 1.5       | 15          | 12.6                     | 0.3 | 0.5 | 0.8                 | 0.003          |
| PB6      | 6             | 1.6                   | 9        | 1.5       | 18          | 15.3                     | 0.5 | 0.5 | 1                   | 0.005          |
| PB8      | 8             | 2                     | 12       | 2         | 23          | 19.5                     | 0.5 | 1   | 1                   | 0.010          |
| PB10     | 10            | 3.20                  | 14       | 2         | 29          | 24.5                     | 0.5 | 1   | 1.5                 | 0.019          |
| PB12     | 12            | 4                     | 17       | 3         | 35          | 29.5                     | 0.5 | 1.5 | 2                   | 0.034          |
| PB14     | 14            | 4                     | 20       | 3         | 40          | 32.5                     | 1   | 1.5 | 2.5                 | 0.053          |
| PB16     | 16            | 4                     | 21       | 3         | 45          | 37.5                     | 1   | 1.5 | 2.5                 | 0.067          |
| PB20     | 20            | 5                     | 26       | 4         | 54          | 47                       | 1   | 2   | 3                   | 0.125          |
| PB25     | 25            | 6                     | 32       | 5         | 67          | 59                       | 1   | 2   | 3                   | 0.260          |

**-Material:**

Carbon steel .

Alternative:stainless steel.

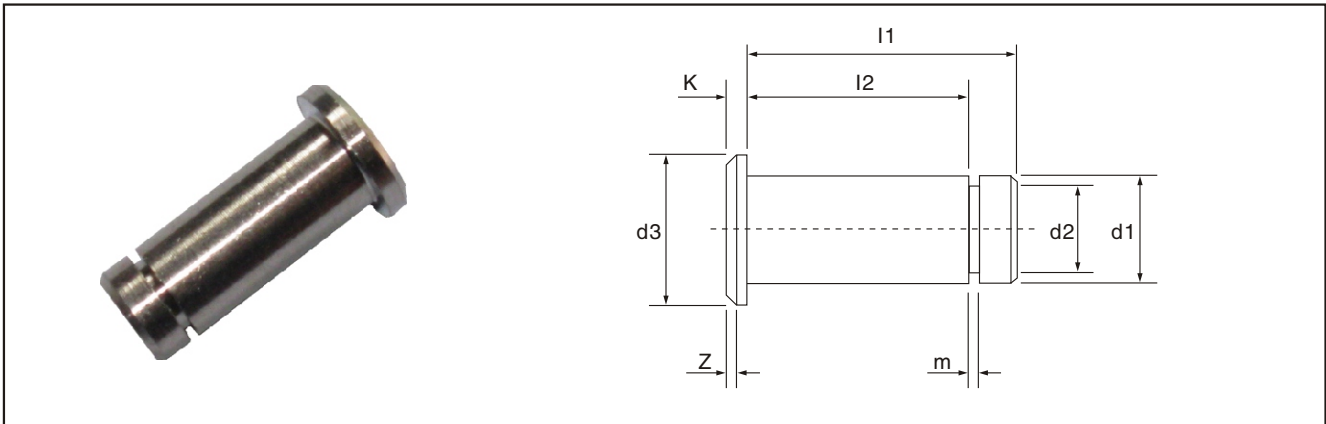
**-Surface Protection:**

phosphatized and oiled, electroplated

Galvanized ,passivated in white-blue or yellow.

-Special request are available.

## Bolt with slot.PA series



| Part No. | d1  | d2   | d3  | l1    | l2   | k     | m    | z   | Weight<br>(Kg)<br>100pcs |
|----------|-----|------|-----|-------|------|-------|------|-----|--------------------------|
|          | h11 | -0.2 | h14 | js 15 | +0.3 | js 14 | +0.1 |     |                          |
| PA4      | 4   | 3.2  | 6   | 10.5  | 8.5  | 1     | 0.64 | 0.5 | 0.12                     |
| PA5      | 5   | 4    | 8   | 13    | 10.5 | 1.5   | 0.74 | 0.5 | 0.24                     |
| PA6      | 6   | 5    | 9   | 15.5  | 12.5 | 1.5   | 0.74 | 0.5 | 0.43                     |
| PA8      | 8   | 6    | 12  | 20    | 16.5 | 2     | 0.94 | 1   | 0.90                     |
| PA10     | 10  | 8    | 14  | 25    | 20.5 | 2     | 1.05 | 1   | 1.72                     |
| PA12     | 12  | 9    | 17  | 30    | 24.5 | 3     | 1.15 | 1.5 | 2.95                     |
| PA14     | 14  | 10   | 20  | 33    | 27.5 | 3     | 1.25 | 1.5 | 4.10                     |

**-Material:**

Low carbon steel 1020,  
Alternative, stainless steel.

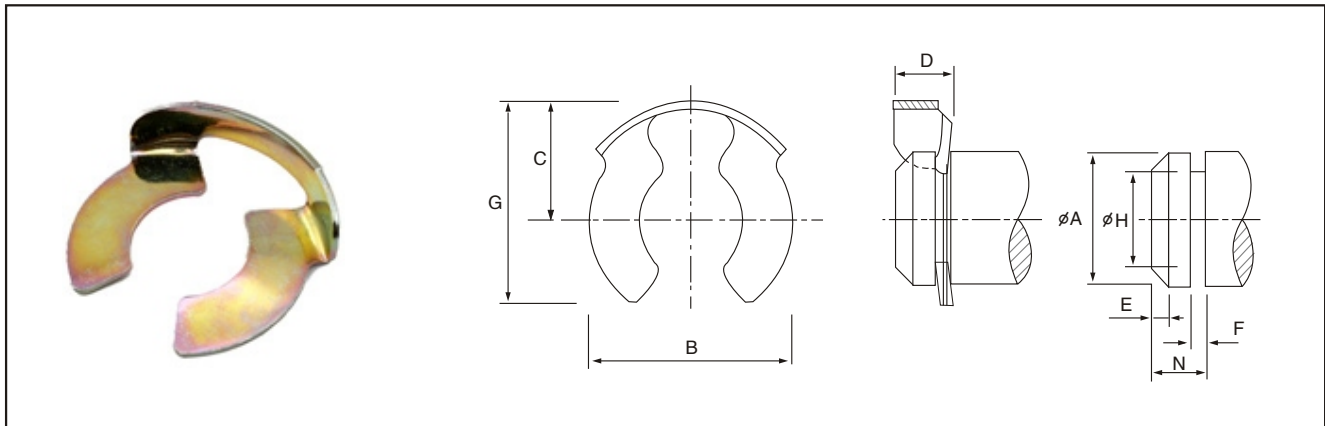
**-Surface Protection:**

phosphatized and oiled ,zinc plate,passivated in white-blue or yellow

-Special request are available.



## Retaining Clips · CLM series



| Part No. | ØA    | B    | C     | D   | E    | F    | G    | ØH   | N   | Weight/100<br>in Kgs |
|----------|-------|------|-------|-----|------|------|------|------|-----|----------------------|
| CLM4     | 4.00  | 7    | 4.3   | 2.6 | 0.50 | 0.74 | 7.0  | 3.2  | 2.1 | 0.013                |
|          | 3.93  |      |       |     |      | 3.1  |      | 1.9  |     |                      |
| CLM5     | 5.00  | 8    | 5.2   | 2.8 | 0.50 | 0.84 | 8.4  | 4.1  | 2.6 | 0.016                |
|          | 4.93  |      |       |     |      | 3.9  |      | 2.4  |     |                      |
| CLM6     | 6.00  | 11   | 6.8   | 3.5 | 0.75 | 0.84 | 11.7 | 5.1  | 3.1 | 0.035                |
|          | 5.93  |      |       |     |      | 4.9  |      | 2.9  |     |                      |
| CLM8     | 8.00  | 12   | 7.4   | 4   | 1.00 | 1.04 | 11.8 | 6.1  | 3.6 | 0.039                |
|          | 7.91  |      |       |     |      | 5.9  |      | 3.4  |     |                      |
| CLM10    | 10.00 | 16   | 9.5   | 5   | 1.00 | 1.15 | 15.9 | 8.2  | 4.6 | 0.081                |
|          | 9.91  |      |       |     |      | 7.8  |      | 4.4  |     |                      |
| CLM12    | 12.00 | 17   | 11.5  | 6   | 1.25 | 1.25 | 18.5 | 9.2  | 5.1 | 0.115                |
|          | 11.89 |      |       |     |      | 8.8  |      | 4.9  |     |                      |
| CLM14    | 14.00 | 19.7 | 11.9? | 6.7 | 1.25 | 1.35 | 20.0 | 10.2 | 5.6 | 0.156                |
|          | 13.89 |      |       |     |      | 9.8  |      | 5.4  |     |                      |
| CLM16    | 16.00 | 23.2 | 14.6  | 7.0 | 1.50 | 1.45 | 24.5 | 12.2 | 6.1 | 0.26                 |
|          | 15.89 |      |       |     |      | 11.8 |      | 5.9  |     |                      |
| CLM24    | 24.00 | 34   | 18.5  | 9.0 | 1.50 | 1.90 | 34.0 | 18.0 | 8.2 | 0.65                 |
|          | 23.87 |      |       |     |      | 17.6 |      | 7.8  |     |                      |

**-Material:**

Spring steel 65Mn, hardened and tempered.

**-Surface protection:**

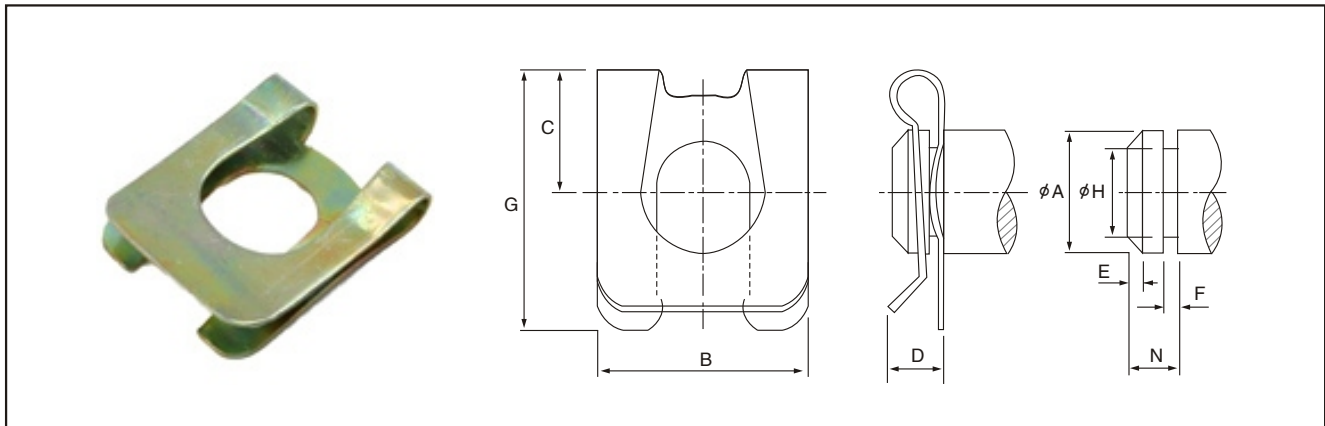
Zinc plate, passivated in yellow or white.

-Easily assembled by hand without tools.

-For use with pins.

-Dimensions are in mm.

## Safety Fastner · CFM series



| Part No. | ΦA    | B  | C    | D   | E    | F    | G     | ΦH  | N   | Weight /100pcs<br>in Kgs |
|----------|-------|----|------|-----|------|------|-------|-----|-----|--------------------------|
| CFM4     | 4.00  | 7  | 4.0  | 2.2 | 0.50 | 0.74 | 8.75  | 3.2 | 2.1 | 0.02                     |
|          | 3.93  |    |      |     |      | 3.1  |       | 1.9 |     |                          |
| CFM5     | 5.00  | 9  | 4.5  | 2.3 | 0.50 | 0.84 | 11.00 | 4.1 | 2.6 | 0.03                     |
|          | 4.93  |    |      |     |      | 3.9  |       | 2.4 |     |                          |
| CFM6     | 6.00  | 11 | 6.0  | 3.3 | 0.75 | 0.84 | 14.25 | 5.1 | 3.1 | 0.07                     |
|          | 5.93  |    |      |     |      | 4.9  |       | 2.9 |     |                          |
| CFM8     | 8.00  | 14 | 8.0  | 3.5 | 1.00 | 1.04 | 17.25 | 6.1 | 3.6 | 0.11                     |
|          | 7.91  |    |      |     |      | 5.9  |       | 3.4 |     |                          |
| CFM10    | 10.00 | 18 | 10.3 | 4.6 | 1.00 | 1.15 | 21.75 | 8.2 | 4.6 | 0.21                     |
|          | 9.91  |    |      |     |      | 7.8  |       | 4.4 |     |                          |
| CFM12    | 12.00 | 22 | 12.0 | 4.6 | 1.25 | 1.25 | 25.50 | 9.7 | 5.1 | 0.29                     |
|          | 11.89 |    |      |     |      | 8.8  |       | 4.9 |     |                          |

**-Material:**

Spring steel 65Mn, hardened and tempered.

**-Surface protection:**

Zinc plate, passivated in yellow or white.

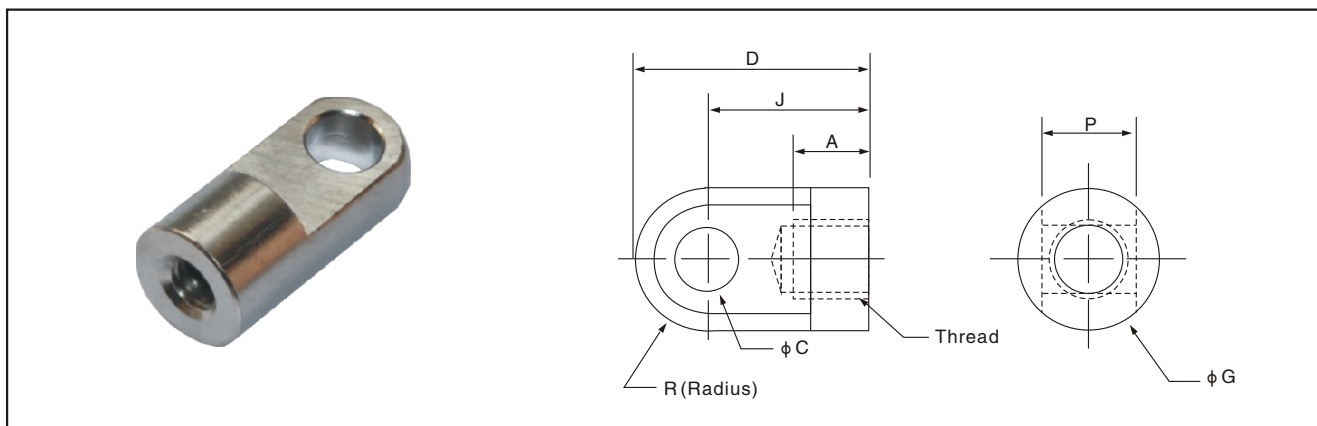
-Easily assembled by hand without tools.

-For use with pins.

-Dimensions are in mm.

-Inch series are also available.

## Eyelet · ED series



| Part No . | Thread   | A  | C  | D  | G    | J    | P  | R    |
|-----------|----------|----|----|----|------|------|----|------|
| ED4       | M3.5x0.6 | 4  | 8  | 12 | 4.1  | 16   | 4  | 4    |
| ED5       | M5x0.8   | 6  | 10 | 16 | 6.1  | 21   | 6  | 5    |
| ED8       | M8x1.25  | 6  | 14 | 20 | 8.1  | 27   | 10 | 7    |
| ED10      | M10x1.5  | 8  | 18 | 25 | 8.1  | 29.5 | 12 | 9    |
| ED14      | M14x1.5  | 19 | 25 | 40 | 14.1 | 53   | 14 | 12.5 |

**-Material:**

Carbon steel

Alternative: Aluminum and Stainless steel.

**-Surface Protection:**

Zinc plate/clear

-Dimensions are in mm.

-Left hand thread possible.

-Special versions upon request.